



UNDER-MOUNT HOOD / HOTTE SOUS-CABINET

MODEL / MODÈLE: CVU306C-SS

INSTALLATION GUIDE / USE AND CARE MANUAL

INSTRUCTIONS D'INSTALLATION / GUIDE DE L'USAGER

IMPORTANT: Read and save these instructions.

IMPORTANT: Lire et conserver ces instructions.

Installer: Leave this manual with the homeowner.

Homeowner: Keep this guide for future reference.

Installateur : Laissez ce manuel au propriétaire.

Propriétaire : Conservez ce guide pour référence ultérieure.

Table of Contents

IMPORTANT SAFETY PRECAUTIONS.....	3-4
INSTALLATION INSTRUCTIONS	4-12
OPERATING THE HOOD	13
MAINTENANCE	14
WARRANTY.....	16

APPROVED FOR APPLIANCES OF RESIDENTIAL USE

ONLY. READ AND SAVE THESE INSTRUCTIONS.

**PLEASE READ THE ENTIRE INSTRUCTIONS BEFORE YOU
BEGIN. INSTALLATION OF THE UNIT MUST RESPECT ALL
CODES.**

IMPORTANT: Keep these instructions in order to provide them to the electrical inspector in your area.

INSTALLER: Please leave these instructions with the owner of the unit.

OWNER: Keep these instructions for future reference.

SECURITY WARNING: Turn off the power circuit in the electrical panel and lock the front panel before connecting the wires of this unit.

Requirements: 120V c.a., 60Hz branch circuit of 15V c.a., 20Hz, of 15 or 20A.

IMPORTANT SAFETY PRECAUTIONS

READ AND SAVE THESE

INSTRUCTIONS CAUTION:

For residential use only. Do not use to exhaust hazardous or explosive materials and/or vapors.

CAUTION:

Range hood may have very sharp edges; please wear protective gloves when installing, cleaning or servicing the unit.

This appliance must be installed by a qualified technician. The manufacturer declines all responsibility in case of failure to adhere to safety standards. Install this hood in accordance with all the specified requirements.

WARNING

To reduce the risk of fire, electric shock or injury to persons, observe the following:

- Use this unit only in the manner intended by the manufacturer. If you have any questions, contact the manufacturer.
- Before servicing or cleaning the unit, switch power off at the service panel and lock the service disconnecting means to prevent power from being switched on accidentally. If the service
 - disconnecting means cannot be locked, securely fasten a noticeable warning device, such as a tag, to the service panel.
- Installation work and electrical wiring must be done by a qualified person in accordance with all
 - applicable codes & standards, including Fire-rated construction.
- Sufficient air is needed for proper combustion and exhausting of gases through the chimney (chimney) of fuel burning equipment to prevent back-drafting.
- Follow the heating equipment manufacturer's guideline and safety standards such as those published by the *National Fire Protection Association* (NFPA) and the local code authorities.
- When cutting or drilling into wall or ceiling, do not damage electrical wiring and other hidden utilities.
- Ducted fans must always be vented to the outdoors.
- Do not make alterations to the original wiring.
- Do not attempt to repair or replace any part of your hood unless it is specifically recommended in this
 - manual.
- All other servicing should be referred to a qualified technician.

CAUTION:

To reduce risk of fire and to properly exhaust air, be sure to duct air outside - do not vent exhaust air into spaces within walls, ceilings, attics, crawl spaces, or garages.

Automatically operated device - to reduce risk of injury disconnect from power supply before servicing.

WARNING

TO REDUCE THE RISK OF FIRE, USE ONLY METAL DUCTWORK.

WARNING

TO REDUCE THE RISK OF A RANGE TOP GREASE FIRE:

- Never leave a range unattended.
- Boil-overs cause smoke and greasy spillovers that may ignite. Heat oils slowly on low or medium setting.
- Always turn hood ON when cooking at high heat or when flambéing food(i.e. Crepes Suzette, Cherries Jubilee, Flambés, etc. ...).
- Clean the unit's surfaces frequently. Grease can accumulate on fan or filters.
- Use proper pan size. Always use cookware appropriate for the size of the surface element.

WARNING

TO REDUCE THE RISK OF INJURY TO PERSONS, IN THE EVENT OF A COOKTOP GREASE FIRE, OBSERVE THE FOLLOWING:

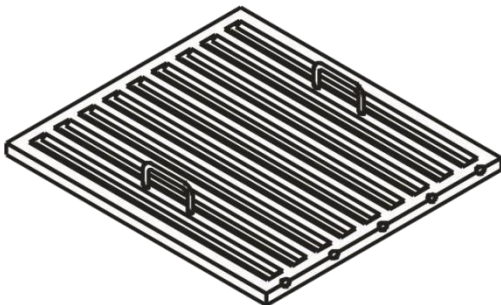
- Smother flames with a close-fitting lid, cookie sheet, or metal tray and then turn off the burner.
- If the flames do not go out immediately, **EVACUATE AND CALL THE FIRE DEPARTMENT.**
- Never pick up a flaming pan - you may **BURN YOURSELF.**
- **DO NOT USE WATER**, including wet dishcloths or towels -a violent steam explosion will result.
- Use an extinguisher **ONLY** if:
 - a) You know you have a class ABC extinguisher, and you already know how to operate it.
 - b) The fire is small and contained in the area where it started.
 - c) The fire department has been called.
 - d) You can fight the fire with your back to an exit.

INSTALLATION INSTRUCTIONS

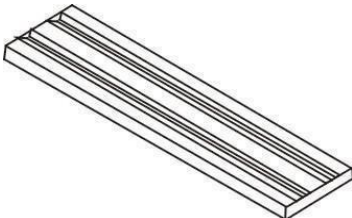
TOOLS NEEDED TO INSTALL THE RANGE HOOD

- Safety gloves and goggles
- Electrical drill
- Phillips screwdriver
- Flathead screwdriver
- Hammer
- Adjustable wrench
- Sheet metal sheers
- Needle nose pliers
- Scissors (to cut duct tape)
- Duct tape
- Marker or pencil
- Level
- Measuring tape

PARTS INCLUDED



Filters



Filter spacer



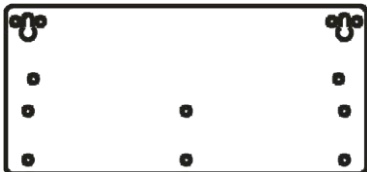
Qty: 6 pcs
(for drywall only)



Qty: 6 pcs



Qty: 6 pcs

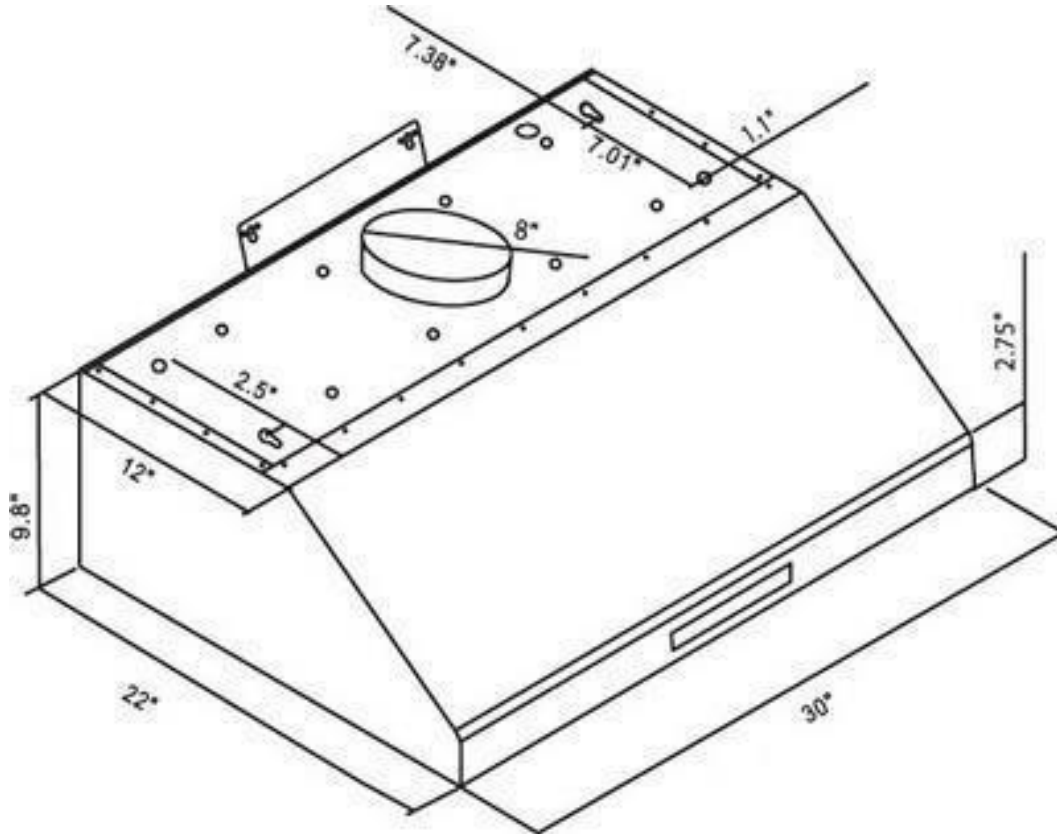


Hood-mounting
bracket

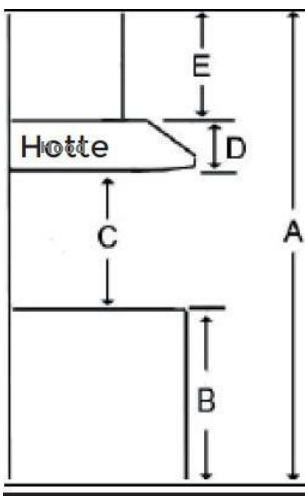


Grease tunnel

DIMENSIONS FOR 30" HOOD



Installation



A	Floor to ceiling height	variable
B	Floor to counter top height (standard)	36"
C	Recommended height between cooking surface and bottom of the hood	28"-30"
D	Hood height	9.8"
E	Cabinet height	N/A

The information contained herein is based on sources that we believe to be reliable, but is not guaranteed by us, may be incomplete and/or may change without notice.

BEFORE INSTALLING THE HOOD

- For the most efficient airflow exhaust, use a straight run or as few elbows as possible.
- Vent unit to the exterior only.
- At least two people are required for installation.
- Remove the range hood from the carton packaging and place on a flat surface for assembly.

CAUTION

THIS APPLIANCE SHOULD BE PROPERLY GROUNDED.

- This hood has two types of electrical connection:
 - A connection with electric wires
 - 3-wire power outlet, 120V 60Hz (supplied but not installed).
- Make sure the unit is connected to an individual, properly grounded circuit.
- If the electrical supply does not meet above requirements, call a licensed electrician before proceeding.
- Route house wiring as close as possible to the installation location, in the ceiling or back wall.
- The hood must be connected to the house wiring in accordance with the local codes and norms.

WALL FRAMING FOR ADEQUATE SUPPORT

THIS VENT HOOD IS HEAVY. ADEQUATE STRUCTURE AND SUPPORT MUST BE PROVIDED IN ALL TYPES OF INSTALLATION. IF MOUNTING ONTO DRY WALL, IT IS RECOMMENDED THAT THE HOOD BE SECURED TO VERTICAL STUDS IN THE WALL OR TO A HORIZONTAL SUPPORT.

WARNING

BE CAREFUL WHEN INSTALLING THE HOOD, AS IT MAY HAVE SHARP EDGES. WE RECOMMEND THAT YOU WEAR PROTECTIVE GLOVES.

CAUTION

DO NOT REMOVE THE PROTECTIVE PLASTIC FILM COVERING THE HOOD AT THIS STAGE.

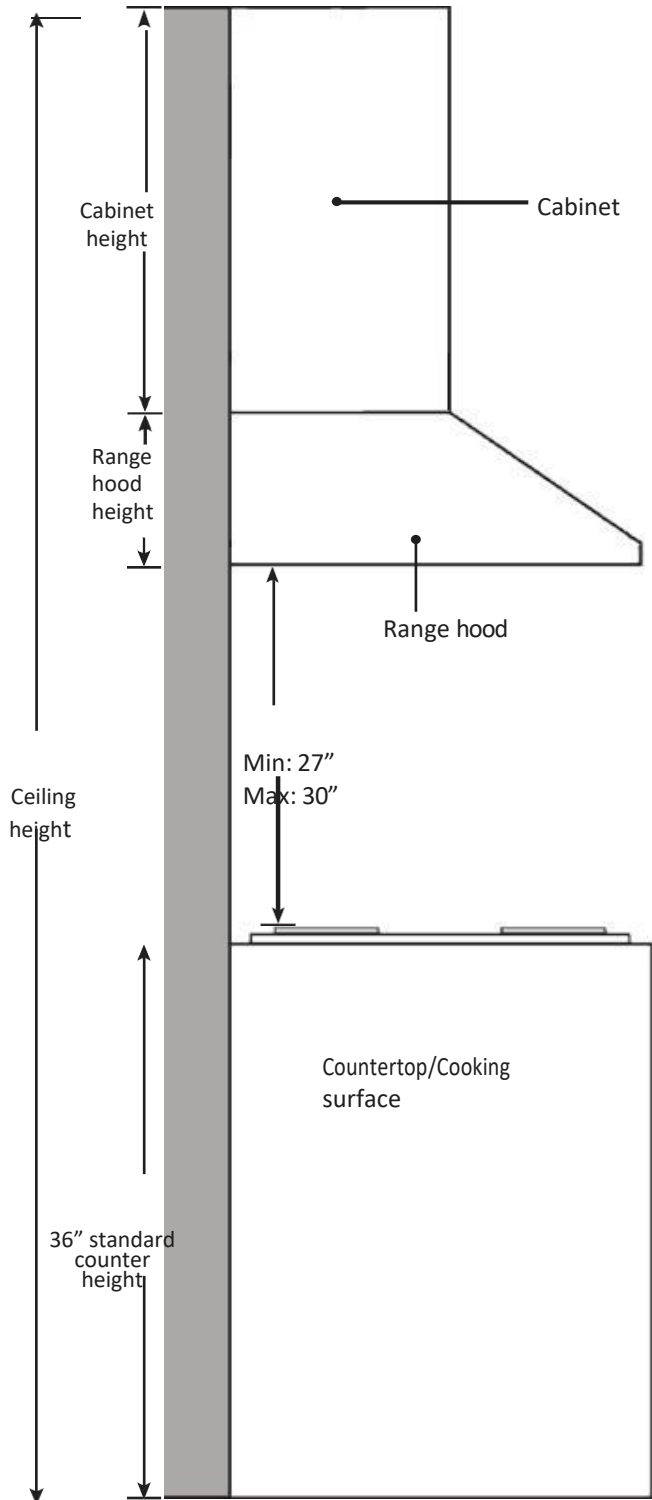
Venting Requirements

- Vent system must evacuate to the exterior (through the roof or side wall).
- DO NOT terminate the vent system in an attic or other enclosed area.
- Use rigid metal/aluminum vent only.
- NEVER use plastic vent or plastic vent cover.
- Always keep the duct clean to ensure proper airflow.
- Calculate the following figures before installation:
 1. Distance from the floor to the ceiling.
 2. Distance between the floor and the countertop/cooking surface.
 3. Distance between the range hood and the countertop/cooking surface which is recommended at 27" to 30".
 4. Height of hood and duct cover with the cabinet.

For the most efficient & quiet operation:

- It is recommended that the range hood be vented vertically through the roof through 8" (20.3 cm) round metal/aluminum vent or vented horizontally through the wall through a rectangular vent measuring 3 ¼" x 10".
- The size of the vent should be uniform.
- If venting vertically, do not use more than three 90° elbows. Do not install two elbows together.
- Make sure there is a minimum of 24" (61 cm) of straight vent between the elbows if more than one elbow is used.
- The length of vent system and number of elbows should be kept to a minimum to provide efficient performance.
- The vent system must have a damper. If roof or wall cap has a damper, **DO NOT** use damper (if supplied) on top of the range hood.
- Use duct tape to seal all joints in the vent system.
- Use caulking to seal exterior wall or roof opening around the cap.

Height & Clearance



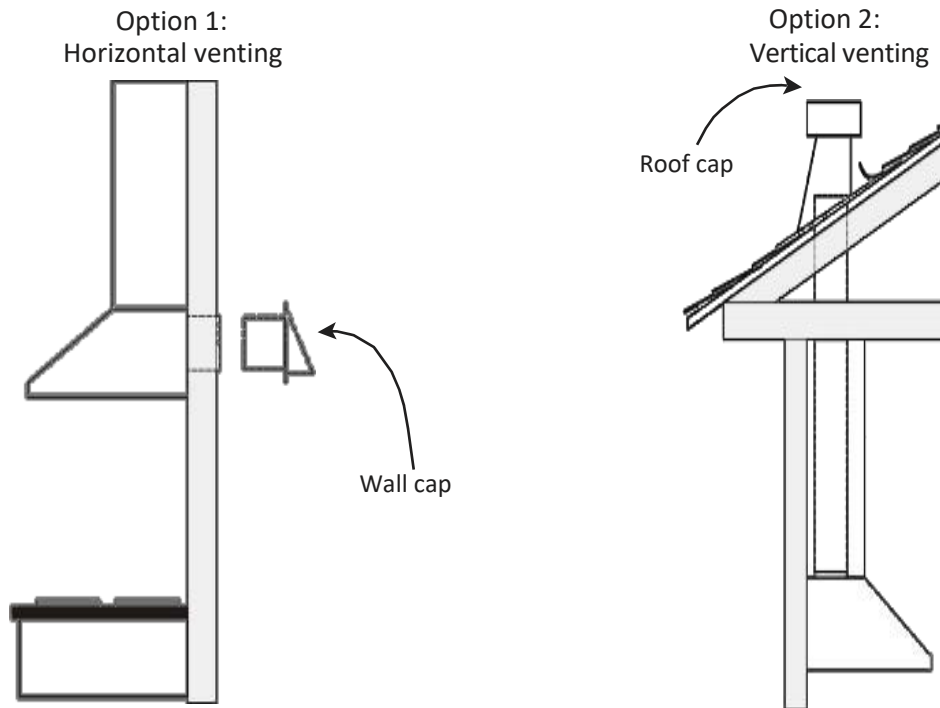
IMPORTANT

- A minimum of 8" round (standard for this range hood) must be used to maintain maximum airflow efficiency.
- Always use rigid type metal/aluminum ducts if available to maximize airflow when connecting to duct provided.

VENTING METHODS

INSTALLATION DIAGRAMS

- Vent work can terminate either through the roof or wall. To vent through a wall, a 90° elbow may be needed.
- This range hood is factory set for vertical venting using round or rectangular vent adapter but can be converted to horizontal venting by swapping the round vent adapter on top with rectangular vent adapter behind the range hood as shown below:





ELECTRICAL REQUIREMENTS AND INSTALLATION WARNING

THIS RANGE HOOD MUST BE PROPERLY GROUNDED. TURN OFF ELECTRICAL POWER AT SERVICE ENTRANCE BEFORE WIRING. CHECK TO MAKE SURE THAT THE ELECTRIC CORD IS NOT IN CONTACT WITH THE SHARP EDGES OF THE APPLIANCE.

IMPROPER GROUNDING CAN RESULT IN A RISK OF ELECTRIC SHOCK. CONSULT A QUALIFIED ELECTRICIAN IF THE GROUNDING INSTRUCTIONS ARE NOT COMPLETELY UNDERSTOOD OR IF THERE IS DOUBT AS TO WHETHER THE APPLIANCE IS PROPERLY GROUNDED. DO NOT USE AN EXTENSION CORD. IF THE POWER SUPPLY CORD IS TOO SHORT, HAVE A QUALIFIED ELECTRICIAN INSTALL AN OUTLET NEAR THE APPLIANCE.

- This appliance must be plugged into an outlet that is properly installed and grounded. In the event of an electrical short circuit, grounding reduces the risk of electric shock by providing an escape wire for the electric current.
- Position the outlet offset so that the power cord will not interfere with the round duct. Make sure this does not interfere with the mounting bracket.

ADVANCED PREPARATION

 <h3>WARNING</h3> <p>Three or more persons are required to move and install this range hood. Spinal or other bodily injuries could occur if these instructions are not followed.</p>	 <h3>WARNING</h3> <p>Risk of severe injury Rotating fan can cause severe injury. Stay clear of fan when motor is running.</p>
---	---

- Decide on the location of the venting pipe from the hood to the outside.
- A straight, short vent run will allow the hood to perform more efficiently. Try to avoid as many transitions, elbows and long runs as possible. This may reduce the hood's performance.
- Use duct tape to seal joints between pipe sections.
- For installing under the cabinet with recessed bottom, attach 4" wide wood filler strips (not provided) on each side. See Figure 1.
- Using references in measurements and installation diagrams (see page 24), create access opening for electrical wires and hood exhaust under the cabinet.

CAUTION: If moving the cooking range to install the hood, turn OFF the power at the main electrical box. SHUT OFF THE GAS BEFORE MOVING A GAS RANGE.

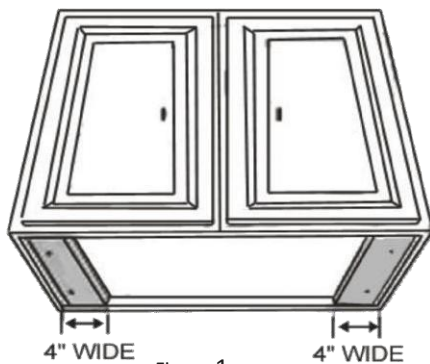


Figure 1

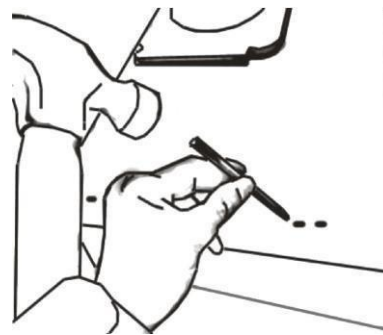


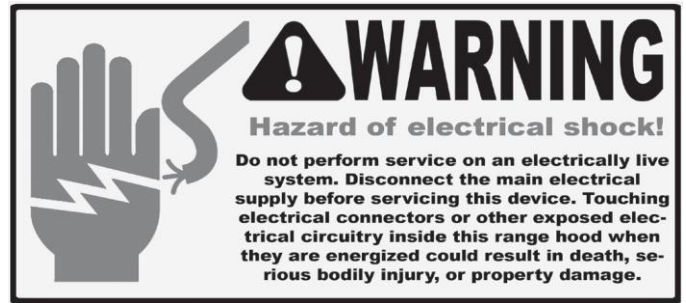
Figure 2

- Puncture the knockout holes (for mounting under the cabinet) on the hood as shown in Figure 2.
- If necessary, attach two rubber stands with adhesive tapes to the back corners of the hood.

INSTALLATION

Measure the distance between the cooking surface and the bottom of the range hood. A distance of 27" to 30" is recommended*.

* Due to different ceiling height configurations, the recommended height may not be applicable.

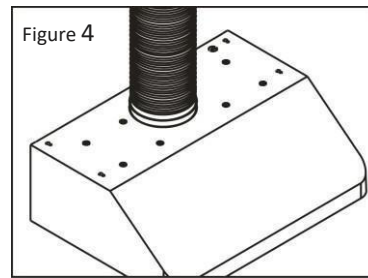
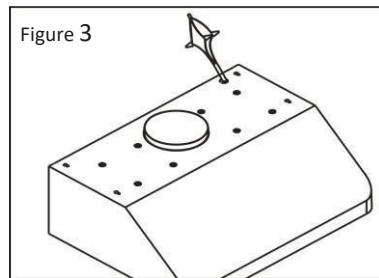


Step 1: You have **two options** for installing this range hood (see INSTALLATION DIAGRAMS on page 24):

A. Determine the venting method and proceed if you would like to vent **VERTICALLY**.

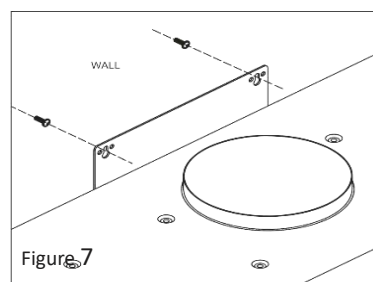
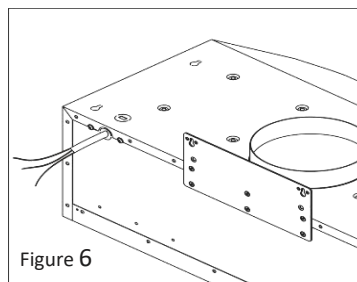
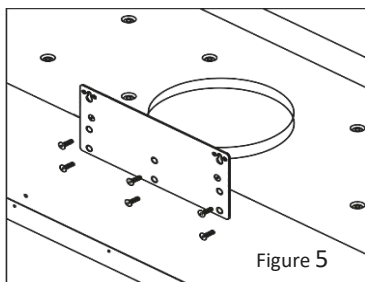
1. Using references in the *Height & Clearance* diagram, determine and clearly mark the centerline on the bottom of the cabinet.
2. Draw electrical wires through cabinet access opening on top of the range hood (refer to figure 3), center the hood beneath the cabinet and flush with the front of the cabinet.
3. From inside the hood, place hood mounting screws in the exact center of each knockout holes and secure to the cabinet bottom. Tighten all screws until secure. Be careful when using electrical screwdriver in order not to damage the range hood. Connect and secure the 8" round metal duct (refer to figure 4). Skip Part B below and proceed to **Step 2**.

CAUTION: Make certain the range hood is secure before releasing!



B. Determine the venting method and proceed if you would like to vent **HORIZONTALLY**.

1. Using references in the *Height & Clearance* diagram, determine and clearly mark a centerline on the wall. Place two mounting screws on the wall, leaving a gap of 1/8" from the wall. To secure the hood onto the studs in the wall is highly recommended.
2. Secure the mounting bracket to the back of the hood with the six screws, as shown in figure 5.
3. Puncture the knockout wire access hole and rear duct access hole on the back of the hood, draw electrical wires through the wire access hole (refer to figure 6) and attach rectangular vent adapter.
4. Align the mounting bracket to the screws on the wall and hang the hood in place as illustrated in figure 7.



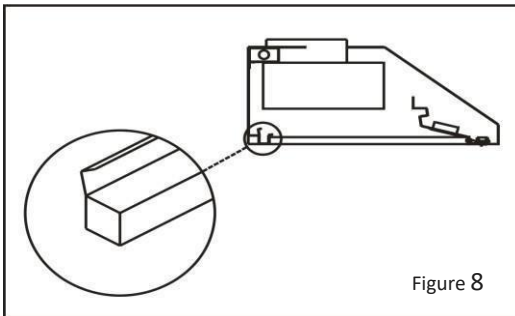
INSTALLATION (continued)

Step 2:

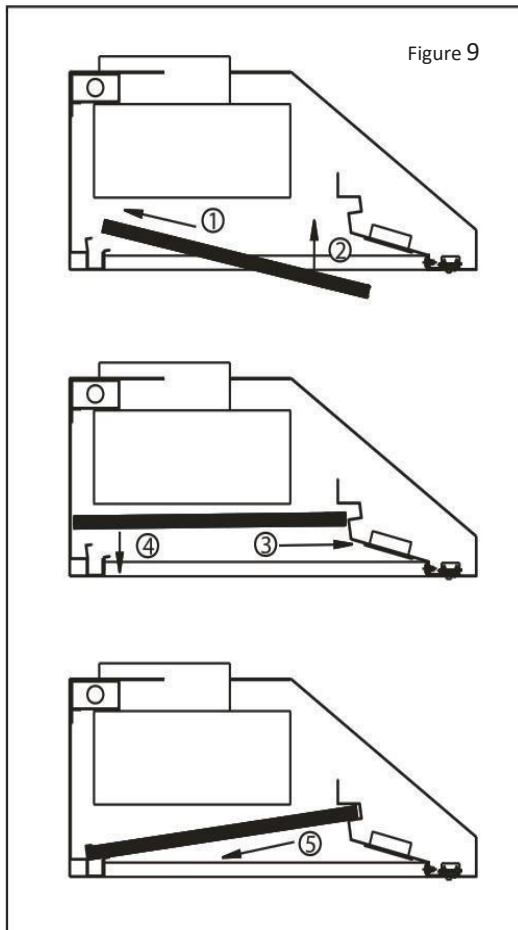
For safety purpose, pre-drilled mounting holes are provided through the back of the hood. For a more secure installation, use as many mounting holes as needed to secure from the inside of hood.

Use an 8" round metal pipe (follow building codes in your area) to connect the exhaust on the hood to the ductwork above, as illustrated in figure 4. Use duct tape to make all joints secure and airtight.

Step 3:



Drop oil tunnel into recess support near rear of hood. See figure 8.



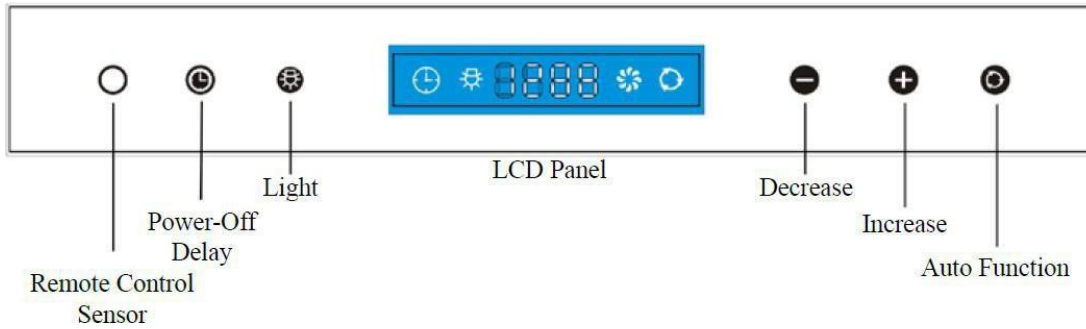
To install baffle filters and stainless spacer(s), refer to figure 9 and follow these five steps:

- ① Angle filter toward back of
- ② hood. Push filter up until
- ③ almost level.
- ④ Slide forward into recess behind the front of
- ⑤ hood. Lower filter. Slide back until it fits into resting position.

Step 4: Turn power ON in control panel. Check all lights and fan operations.

RANGE HOOD OPERATIONS

Control Panel Layout and Buttons Configurations:



In addition to the remote-control feature, this range hood is also equipped with a heat sensor that will self-calibrate in 5 seconds when the range hood is first electrically activated and beeps when self-calibration is done. To conserve energy, the LCD panel will turn off automatically after 5 seconds of inactivity.

Adjusting Heat Sensitive Auto Speed (HSAS) Function:

- Press *Auto Function* button to Turn On/Off the Auto Mode. The Auto Function Icon will appear in the LCD Panel when Auto Mode is On.
- While the range hood is off, press and hold *Auto Function* button to enter the temperature setting mode. Press *Increase* or *Decrease* button to adjust the comparison temperature value between the internal and external heat sensors from **8°F to 20°F**. The temperature setting mode will exit automatically after 5 seconds of inactivity.
- While the range hood is off and Auto Function is activated, the blower will turn on to its highest speed automatically when the internal temperature is 4 times above the external temperature. Then it will adjust the speed level (between speed levels F4 to F1) automatically according to the detected temperature between the sensors (4 times to 1 time). The speed level can also be manually overwritten by press the *Increase* or *Decrease* button and Auto Function will reactivate after 2 minutes. The blower can ONLY be turned off MANUALLY or activate the delay off timer function.

Activating Normal Blower Function:

- While the range hood is off, press *Increase* or *Decrease* button to start the blower. Press *Increase* button to increase blower speed (F1 to F4) as indicated in LCD panel. The *Increase* button cycles blower settings from off (00), quiet speed (F1), low speed (F2), medium speed (F3) to high speed (F4).
- While the range hood is on and the blower is running, press *Decrease* button to decrease blower speed (F4 to F1) as indicated in LCD panel. The *Decrease* button cycle blower settings from high speed (F4), to medium speed (F3), low speed (F2), quiet speed (F1) to off (00).

Activating Light Function:

- Press Light button once to turn on the lights, and once again to turn off the lights.

CAUTION: DO NOT touch the lights until switched OFF and cooled.

Activating Power-Off Delay Function:

- While the range hood is on and the blower is running, press Power-Off Delay button to activate delay off timer and "Power-Off Delay" icon will appear in LCD panel. Adjust to desired period of delay off timer by pressing Increase or Decrease button (minimum 1 minute to maximum 15 minutes). Timer begins to countdown immediately, when it reaches 0, the blower will shut off.

Adjusting Clock Function:

- While the range hood is off, press Power-off Delay button once to enter the clock setting mode, press Increase or Decrease button to set the Hour. Press the Power-off Delay button again to set the Min. Press the Power-off Delay button again to exit the clock setting mode.

MAINTENANCE

SAFETY WARNING: NEVER PUT YOUR HAND INTO AREA HOUSING THE FAN

For optimal operation, clean range hood, surfaces and filters regularly. Regular care will help preserve the appearance of the range hood.

CLEANING THE EXTERIOR SURFACES

Clean periodically with hot soapy water and clean cotton cloth. Do not use corrosive or abrasive detergent or steel wool pads, which will scratch and damage the stainless-steel surface. For heavier soil, use a liquid degreasing cleaner. Use a stainless-steel cleaner to clean the surface of the hood. Avoid getting cleaning solution onto or into the control panel. Follow directions of the stainless-steel cleaner.

CAUTION

USE SOFT TOWEL TO WIPE OFF THE CLEANING SOLUTION, GENTLY RUB OFF ANY STUBBORN SPOTS. USE DRY SOFT TOWEL TO DRY THE HOOD. ALWAYS SCRUB LIGHTLY WITH CLEAN COTTON CLOTH AND IN THE DIRECTION OF THE GRAIN.

DO NOT ALLOW DEPOSITS TO ACCUMULATE OR REMAIN ON THE HOOD. DO NOT USE ORDINARY STEEL WOOL OR STEEL BRUSHES. SMALL BITS OF STEEL MAY ADHERE TO THE SURFACE AND CAUSE RUSTING.

DO NOT ALLOW SALT SOLUTIONS, DISINFECTANTS, BLEACHES OR CLEANING COMPOUNDS TO REMAIN IN CONTACT WITH STAINLESS STEEL FOR EXTENDED PERIODS. MANY OF THESE COMPOUNDS CONTAIN CHEMICALS, WHICH MAY BE HARMFUL. RINSE WITH WATER AND WIPE DRY WITH A CLEAN CLOTH.

CLEANING THE GREASE FILTER

The filters are intended to filter out residue and grease from cooking and are required to be kept clean. Filters should be cleaned after every 30 hours of use (or once a month, depending on use). Remove and clean by hand in soapy water or in the dishwasher. Dry filters and re-install. If cleaning the filters in the dishwasher, use a non-phosphate detergent. The use of detergent with phosphate may cause discoloration of the filters but will not affect their performance. This discoloration is not covered by the warranty.

REPLACING THE FILTERS

If filters wear out due to prolonged use, please contact your service/parts provider for replacement filters.

NOTE: ALSO REPLACE DAMAGED FILTER THAT HAS PUNCTURED OR BROKEN MESH, BENT OR BROKEN FRAME.

CLEANING THE STAINLESS-STEEL SURFACE

Regularly wash surface with dry cloth or clean cloth soaked in warm water and mild soap or liquid dish detergent. Always clean following the grain. Always rinse thoroughly with clear water (2-3 times) and wipe dry completely. Specially designed stainless-steel cleaners can also be used.

GREASE CUP

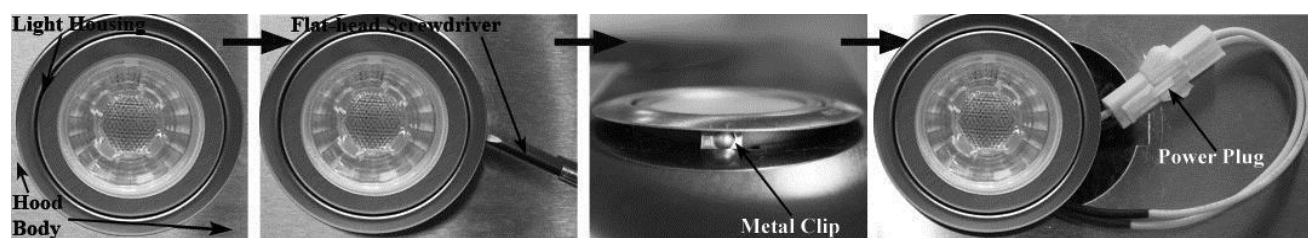
Take good care of installing the grease tunnel properly and to empty and clean it on a regular basis.

REPLACING THE LED LIGHT BULBS

CAUTION: LED lamps can only be replaced with a new LED lamp. The lamp rating must be equal to the one already used. Make sure all the control switches are off and the hood is unplugged, or the breaker is OFF.

Replacing the LED light fixture:

- This range hood uses LED light fixture: 3W Max 12VLED
- Make sure the range hood is unplugged or turn OFF breaker and make sure the lights are cool to touch.
- Place a flat-head screwdriver between light housing and hood body, gently pry up the light housing and search for the metal clip.
- Apply force to the metal clip and pull out the light fixture. Disconnect the power cable and discard the old light fixture.
- Reverse the steps to install a new LED light fixture. Turn ON breaker and range hood to test for operation.



SERVICE AND WARRANTY

LIMITED WARRANTY

This warranty applies only to the original purchaser and may not be transferred. This warranty is applicable within Canada only, to hoods installed for normal, non-commercial use in PRIVATE SINGLE-FAMILY HOUSEHOLDS.

Caloric™ warrants this product to be free from defects in material or workmanship for a period of ONE YEAR from the date of original purchase. During the warranty period, Caloric™ will, at its option, repair or replace, without charges, any product or part which is found to be defective under normal use and service. This warranty covers parts and labour from a Caloric™ authorized company, up to a maximum of one (1) hour. Proof of payment to the service company is required.

THERE ARE NO OTHER WARRANTIES, EXPRESS OR IMPLIED, INCLUDING BUT NOT LIMITED TO, IMPLIED WARRANTIES OR MERCHANT ABILITY OR FITNESS FOR A PARTICULAR PURPOSE.

Proof of purchase/original invoice and serial number is required for warranty claims. Keep a photocopy easily accessible.

This warranty will be void if the serial plate has been removed or disfigured.

EXCLUSIONS – This Caloric™ warranty does not cover: • Aluminum or SS baffle filters, lights or glass canopies, blower wheel damage • Regular maintenance and service (except by an authorized Caloric™ repair center) • Damage resulting from accident, alteration, misuse, abuse, fire, flood, acts of God, improper installation, installation not in accordance with electrical codes, or use of consumables or cleaning products not approved by Caloric™ • Repair of an appliance used in other than a normal, single-family household, or in a manner that is contrary to the operation or installation instructions. • Cosmetics damage or freight damage caused by a 3rd party freight company. • Service to product that is not easily accessible due to unusual, exceptional, or difficult installation • Service calls to instruct how to use the appliance • Expenses for travel and transportation if your appliance is in a remote area where service by an authorized Caloric™ servicer is not available.

The cost of repair or replacement under these exclusions shall be borne by the customer and agreed to before a servicer is dispatched.

Caloric™ SHALL NOT BE LIABLE FOR INCIDENTAL, CONSEQUENTIAL OR SPECIAL DAMAGES ARISING OUT OF OR IN CONNECTION WITH PRODUCT USE OR PERFORMANCE.

**For a Caloric™ authorized repair center please contact us at:
1-844-455-3474 ext. 2 or service@caloricappliances.ca**

We do the utmost to ensure that the provided information is complete and accurate, however, images and specifications are subject to change without notice. Visit our website at www.caloricappliances.ca for the latest version of this manual.



In Canada CALORIC™ is a registered trademark of J.A.K. North America Inc.

Table des matières

IMPOPTANTES MESURES DE SÉCURITÉ	18-19
INSTRUCTIONS D'INSTALLATION	20-27
MODE D'EMPLOI.....	28
ENTRETIEN	30
SERVICE ET GARANTIE	32

APPROUVÉ POUR LES APPAREILS À UTILISATION RÉSIDEN­TIELLE

SEULEMENT. LISEZ CES INSTRUCTIONS ET CONSERVEZ-LES

VEUILLEZ LIRE CES INSTRUCTIONS AU COMPLET AVANT DE COMMENCER. L'INSTALLATION DE L'APPAREIL DOIT RESPECTER TOUS LES CODES EN­VIGUEUR.

IMPORTANT: Conservez ces instructions afin de pouvoir les remettre à l'inspecteur-électricien de votre région.

INSTALLATEUR: Veuillez laisser ces instructions avec l'appareil pour le propriétaire.

PROPRIÉTAIRE: Veuillez conserver ces instructions pour pouvoir vous y référer plus tard.

AVERTISSEMENT DE SÉCURITÉ: Coupez l'alimentation du circuit dans le panneau électrique et verrouillez le panneau avant de raccorder les fils de cet appareil.

Exigence: 120V c.a., 60Hz circuit de dérivation de 15V c.a., 20Hz, de 15 ou 20A.

IMPORTANTES MESURES DE SÉCURITÉ

AVERTISSEMENT

Pour usage domestique seulement. Ne pas utiliser pour évacuer des vapeurs ou des matières dangereuses ou explosives.

ATTENTION

Cette hotte peut avoir des bords très tranchants; veuillez porter des gants de protection lors de l'installation, du nettoyage ou de l'entretien de l'appareil.

Cet appareil doit être installé par un technicien qualifié. Le fabricant décline toute responsabilité en cas de défaut de se conformer aux normes de sécurité. Installez cette hotte en respectant toutes les exigences spécifiées.

AVERTISSEMENT

Afin de réduire les risques d'incendie, d'électrocution ou de blessures corporelles, suivez les directives suivantes :

- N'utilisez cet appareil que de la façon prévue par le fabricant. Si vous avez des questions, contactez le fabricant à l'adresse ou au numéro de téléphone indiqué dans la garantie.
- Avant de réparer ou de nettoyer l'appareil, coupez l'alimentation électrique en verrouillant le panneau électrique afin d'éviter sa remise en marche accidentelle. Si le panneau électrique ne peut pas être verrouillé, fixez-y un avertissement bien en évidence telle qu'une étiquette de couleur vive.
- Les travaux d'installation et de raccordement électriques doivent être effectués par une personne qualifiée, conformément aux codes et aux standards de construction, incluant ceux concernant la protection contre les incendies.
- Une quantité d'air adéquate est requise afin d'assurer une bonne combustion et l'évacuation des gaz par la cheminée (dans le cas des équipements alimentés au gaz) afin de prévenir les retours de cheminée.
- Conformez-vous aux instructions et aux standards de sécurité des fabricants d'équipement de chauffage ainsi que les codes et standards locaux.
- Veillez à ne pas endommager le câblage électrique ou d'autres équipements non apparents lors de la découpe ou du perçage du mur ou du plafond.
- Les ventilateurs avec conduits doivent toujours évacuer l'air vers l'extérieur.
- Ne faites pas de modifications au câblage d'origine.
- N'essayez pas de réparer ou de remplacer quelque partie que ce soit de votre hotte, sauf s'il est spécifiquement recommandé dans ce manuel.
- Toutes les autres réparations devraient être effectuées par un technicien qualifié.

AVERTISSEMENT

Afin de réduire les risques d'incendie, assurez-vous d'évacuer l'air à l'extérieur. Ne pas évacuer l'air dans des espaces restreints comme l'intérieur des murs, du plafond, le grenier, faux plafond ou garage.

Dispositif automatique - pour réduire les risques de blessures, débranchez l'appareil avant d'effectuer l'entretien.

AVERTISSEMENT

AFIN DE RÉDUIRE LES RISQUES D'INCENDIE, N'UTILISEZ QUE DES CONDUITS DE MÉTAL.

AVERTISSEMENT

AFIN DE RÉDUIRE LES RISQUES DE FEU DE CUISINIÈRE :

- Toujours mettre la hotte en marche lorsque vous cuisinez.
- Ne jamais laisser les appareils de cuisson sans surveillance lorsqu'ils sont réglés à feu vif. Les débordements engendrent de la fumée et des déversements graisseux qui pouvant s'enflammer. Chauffez l'huile lentement, à feu doux ou moyen.
- Il est essentiel d'avoir la hotte en marche lorsque vous cuisinez à feu vif ou que vous cuisinez des mets flambés (par ex. : Crêpes Suzette, Cerises jubiléés, Steaks au poivre flambés, etc.).
- Nettoyez régulièrement la (les) roue(s) du ventilateur. Ne pas laisser la graisse s'accumuler sur le ventilateur, les filtres ou les conduits d'évacuation.
- Utilisez le bon format de casserole. Servez-vous toujours de casseroles et d'ustensiles appropriés à la dimension de la surface chauffante.

AVERTISSEMENT

AFIN D'ÉVITER TOUT RISQUE DE BLESSURES LORS D'UN FEU DE CUISINIÈRE, SUIVEZ CES DIRECTIVES:

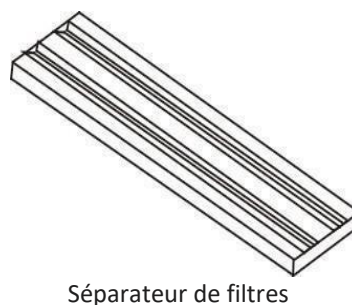
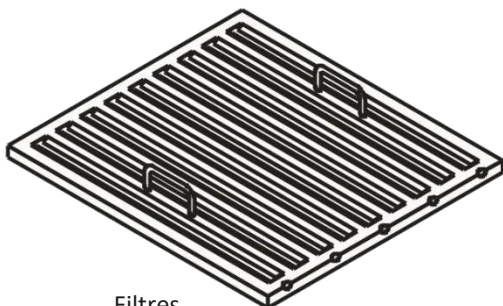
- Étouffez les flammes avec un couvercle hermétique, une tôle à biscuits ou un plateau métallique et ensuite éteindre le brûleur.
- Si les flammes ne s'éteignent pas immédiatement, **ÉVACUEZ LES LIEUX ET APPELEZ LES POMPIERS.**
- Ne prenez jamais une casserole en flamme dans vos mains. Vous pourriez vous brûler.
- **N'UTILISEZ PAS D'EAU**, y compris un linge à vaisselle ou une serviette mouillée car cela pourrait occasionner une violente explosion de vapeur.
- N'utilisez un extincteur **QUE DANS LE CAS OÙ**:
 - a) Vous savez qu'il s'agit d'un extincteur de classe ABC et que vous en connaissez le fonctionnement.
 - b) L'incendie est petit et limité à l'endroit où il a débuté.
 - c) Les pompiers ont été avisés.
 - d) Vous pouvez combattre l'incendie en ayant accès à une sortie de secours.

INSTRUCTIONS D'INSTALLATION

OUTILS NÉCESSAIRES POUR INSTALLER LA HOTTE

- Gants et lunettes de protection
- Perceuse électrique
- Tournevis Phillips (tête étoilée)
- Tournevis à tête plate
- Marteau
- Clé à molette
- Pincés à bec
- Ciseaux (pour couper du ruban pour conduit)
- Ruban pour conduits
- Marqueur ou crayon
- Niveau
- Ruban à mesurer

PIÈCES INCLUSES



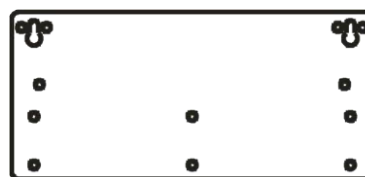
Qté: 6 pcs
(pour cloison sèche seulement)



Qté: 6 pcs



Qté: 6 pcs

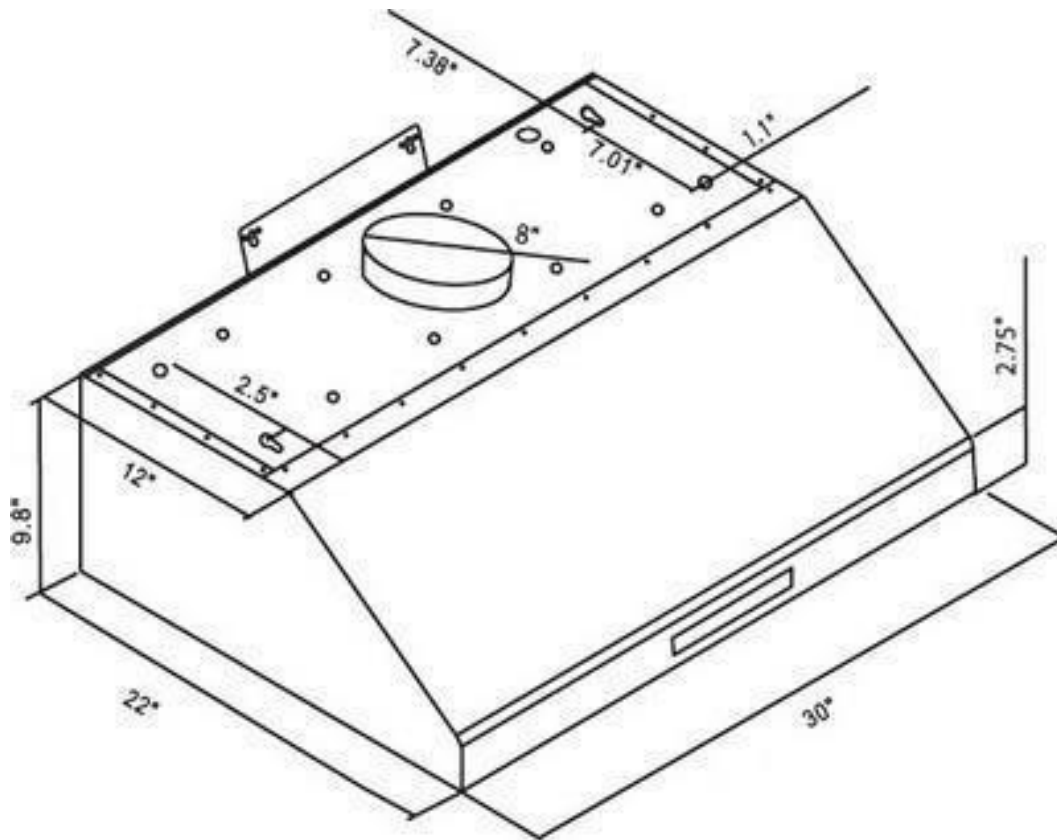


Support de fixation

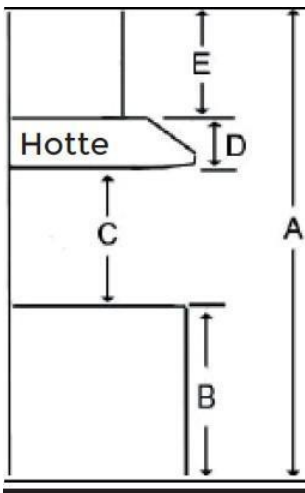


Accumulateur de gras

DIMENSIONS DE LA HOTTE 30''



Mesures Installation



A	Hauteur du plancher au plafond	Variable
B	Hauteur du plancher au comptoir (habituellement standard)	36"
C	Hauteur recommandée entre la surface de cuisson et le dessous de la hotte	28"-30"
D	Hauteur de la hotte	6"
E	Hauteur de la cheminée	N/A

Les renseignements que cette fiche contient sont fondés sur des sources que nous croyons fiables, mais nous ne pouvons les garantir et ils peuvent par ailleurs être incomplets et/ou changés sans préavis

AVANT D'INSTALLER LA HOTTE

- Pour un échappement d'air plus efficace, nous recommandons une installation le plus rectiligne possible et d'utiliser aussi peu de coudes que possible.
- Évacuez l'air à l'extérieur seulement. Ne pas évacuer l'air dans des espaces restreints comme l'intérieur des murs, plafond, grenier, faux plafond ou garage.
- À cause du poids et de la dimension de la hotte, deux ou plusieurs personnes sont nécessaires pour déplacer et installer la hotte de façon sécuritaire.
- Retirez la hotte de son emballage et la déposer sur une surface plane pour l'assemblage.

AVERTISSEMENT

CET APPAREIL DOIT ÊTRE CORRECTEMENT MIS À LA TERRE.

- Cette hotte possède deux types de raccordement électrique :
 - Un raccord avec fils électriques
 - une prise de courant à 3 brins, 120V 60Hz (fournie mais non installée).
- S'assurer que la hotte est correctement installée et mise à la terre.
- Si l'alimentation électrique ne répond pas aux exigences, consultez un électricien avant de continuer.
- Le câblage électrique doit être le plus près possible de l'emplacement d'installation et ce, dans le plafond ou le mur arrière.
- La hotte doit être raccordée au câblage électrique de la maison conformément aux normes et codes locaux.

MUR ENCADRANT UN APPUI SUFFISANT

CETTE HOTTE EST LOURDE. UNE STRUCTURE ET UN SUPPORT ADÉQUATS DOIVENT ÊTRE PRÉVUS POUR TOUS LES TYPES D'INSTALLATION. EN CAS DE MONTAGE SUR CLOISON SÈCHE (GYPSÉ), LA HOTTE DOIT ÊTRE SÉCURISÉE PAR DES SOLIVES VERTICALES DANS LE MUR OU PAR UN SUPPORT HORIZONTAL.

AVERTISSEMENT

SOYEZ PRUDENTS LORS DE L'INSTALLATION DE LA HOTTE. IL POURRAIT Y AVOIR DES ARÊTES VIVES. NOUS SUGGÉRONS DE PORTER DES GANTS DE PROTECTION.

ATTENTION

À CE STADE-CI, NE PAS RETIRER LE FILM PROTECTEUR DE PLASTIQUE RECOUVRANT LA HOTTE.

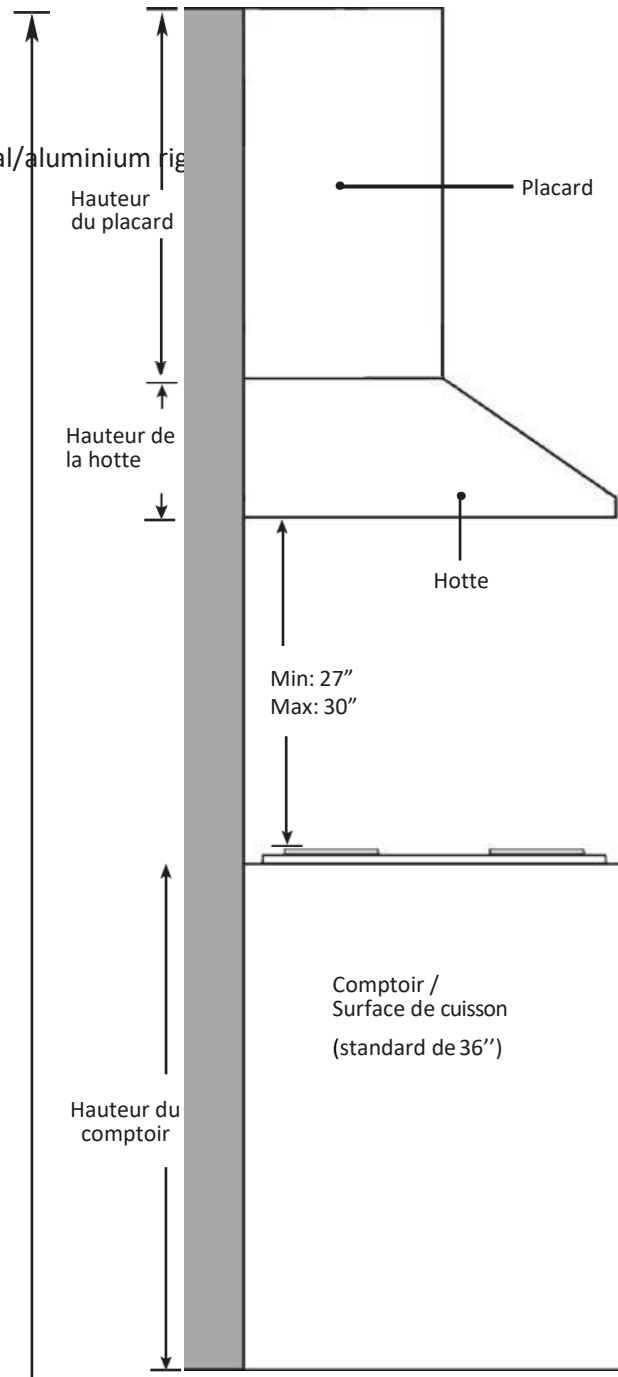
EXIGENCES D'ÉVACUATION

- Pour une évacuation vers l'extérieur seulement.
- NE PAS terminer le système de ventilation dans un grenier ou d'autres zones fermées.
- Utilisez uniquement un conduit de métal/aluminium rigide.
- NE JAMAIS utiliser de conduit ou de capuchon en plastique.
- Toujours garder le conduit propre pour assurer une bonne évacuation d'air.
- Calculer les données suivantes avant l'installation:
 1. Distance entre le sol et le plafond.
 2. Distance entre le sol et le dessus de la surface de cuisson.
 3. Distance entre la surface de cuisson et la hotte (nous recommandons 27" à 30").
 4. Hauteur de la hotte et du placard.

Pour un fonctionnement efficace et silencieux:

- Il est recommandé que la hotte soit ventilée verticalement à travers le toit par un conduit en métal ou en aluminium rond de 8" (20.3 cm) ou horizontalement à travers le mur par un conduit de 3 1/4" x 10".
- La taille de l'évent doit être uniforme.
- Si vous ventilez vers le toit, ne pas utiliser plus de trois coudes à 90 °. Ne pas installer deux coudes ensemble.
- Assurez-vous qu'il y a au moins 24 "(61 cm) de conduit droit entre les coudes si plus d'un coude est utilisé.
- La longueur du système de ventilation et le nombre de coudes doivent être réduits au minimum pour assurer une performance efficace.
- Le système d'évacuation doit avoir un adaptateur/clapet. Si le capuchon de toit ou mural possède un clapet, n'utilisez **PAS** l'adaptateur/clapet qui est fourni et ne pas l'installer sur le dessus ou l'arrière de la hotte.
- Utilisez du ruban pour conduits pour sceller tous les joints du système d'évacuation.
- Utilisez le calfeutrage pour sceller le mur extérieur ou l'ouverture autour du capuchon de toit ou mural.

HAUTEURS ET DÉGAGEMENTS



IMPORTANT

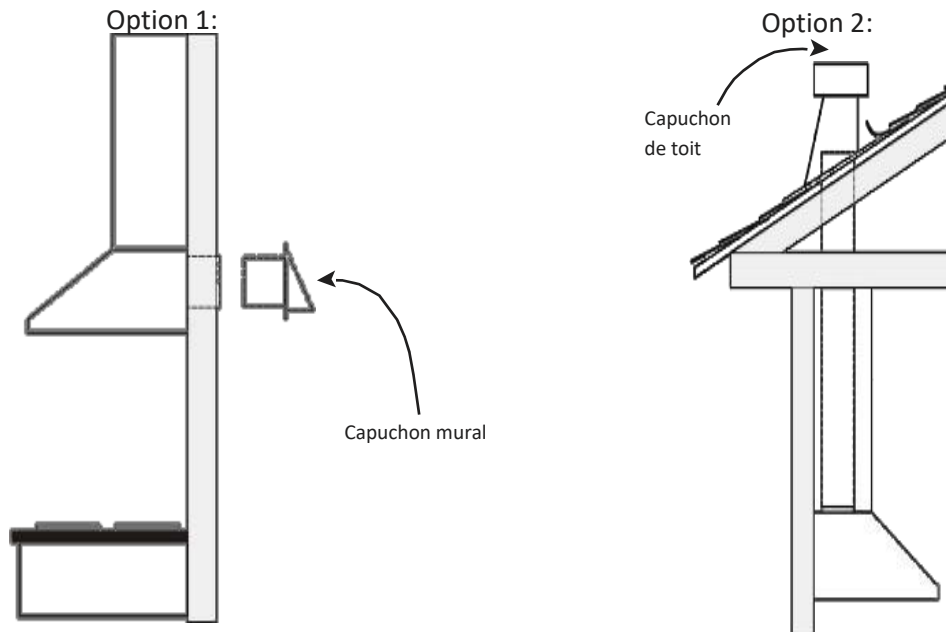
- Un conduit rectangulaire de 3 ¼" x 10" ou un conduit rond de minimum 8" (standard pour cette hotte et vendu séparément) doit être utilisé pour maintenir l'efficacité maximale du débit d'air.
- Utilisez toujours des conduits en métal / aluminium rigide pour maximiser le débit d'air lors de la connexion au conduit fourni.

MÉTHODES D'ÉVACUATION

SCHÉMAS D'INSTALLATION

- Planifiez le circuit d'évacuation vers l'extérieur. Les travaux de ventilation peuvent se terminer par le toit ou le mur seulement. Pour évacuer à travers un mur, un coude à 90 ° peut être nécessaire.

Cette hotte est fabriquée en usine pour l'évacuation verticale à l'aide d'un adaptateur d'évacuation rond ou rectangulaire mais peut être convertie en ventilation horizontale en remplaçant l'adaptateur d'évent rond par un adaptateur rectangulaire de ventilation derrière la hotte comme illustré ci-dessous:



INSTALLATION

ÉLECTRIQUE

AVERTISSEMENT

LE RACCORDEMENT ÉLECTRIQUE DOIT ÊTRE EFFECTUÉ PAR UN PERSONNEL QUALIFIÉ EN RESPECTANT LES NORMES ET RÈGLEMENTS EN VIGUEUR. CET APPAREIL DOIT ÊTRE RELIÉ À UNE MISE À LA TERRE. AVANT D'EFFECTUER LE BRANCHEMENT, COUPEZ L'ALIMENTATION ÉLECTRIQUE DEPUIS LA BOÎTE DE CIRCUIT PRINCIPALE.

UN MAUVAIS BRANCHEMENT PEUT ENTRAÎNER UN RISQUE D'ÉLECTROCUTION. CONSULTEZ UN ÉLECTRICIEN SI LES INSTRUCTIONS DE MISE À LA TERRE NE SONT PAS TOUT À FAIT COMPRISES OU SI UN DOUTE PERSISTE QUANT À SAVOIR SI L'APPAREIL EST CORRECTEMENT RELIÉ À LA TERRE. NE PAS UTILISER DE RALLONGE ÉLECTRIQUE. SI LE CORDON D'ALIMENTATION EST TROP COURT, DEMANDEZ À UN ÉLECTRICIEN D'INSTALLER UNE PRISE DE COURANT PRÈS DE L'APPAREIL.

- Cet appareil doit être relié à une prise correctement installée et mise à la terre. En cas de court-circuit électrique, la mise à la terre réduit le risque d'électrocution en fournissant un câble d'évacuation pour le courant. Cet appareil est muni d'un cordon équipé d'un câble de mise à la terre avec fiche de mise à la terre. S'assurer qu'elle n'interfère pas avec l'emplacement de fixation d'un support démontage.

PRÉPARATION



AVERTISSEMENT

Au moins deux personnes sont requises pour déplacer et installer cette hotte. S'il vous plaît suivre les instructions afin d'éviter les blessures du dos et autres blessures.



AVERTISSEMENT

Risque de blessures sérieuses
Les palmes du ventilateur peuvent causer des blessures graves. Restez à l'écart du ventilateur lorsque le moteur tourne.

- Planifiez le circuit d'évacuation vers l'extérieur. Planifiez le parcours le plus court et le plus rectiligne possible et utilisez aussi peu de coudes que possible. Évitez d'installer un trop grand nombre de coudes et de transitions car cela réduira la performance de la hotte. Des conduits plus grands peuvent être nécessaires lors de l'installation d'une canalisation plus longue.
- Pour installer sous le placard avec fond encastré, attachez de larges bandes de remplissage de bois de 4" (non fournies) de chaque côté. Voir Figure 1.
- En utilisant les références dans les mesures et schémas d'installation, créez une ouverture d'accès pour les fils électriques et l'évacuation de la hotte sous l'armoire.

ATTENTION: Si vous déplacez la cuisinière pour installer la hotte, coupez l'alimentation de la cuisinière électrique directement à la boîte de circuit électrique principal. ÉTEINDRE LE GAZ AVANT DE DÉPLACER UNE CUISINIÈRE AU GAZ.

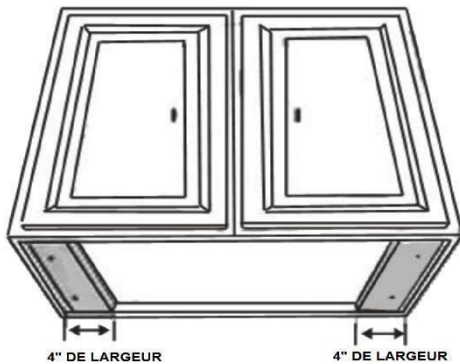


Figure 1



Figure 2

- Percez les trous d'arrêt (pour le montage sous l'armoire) sur la hotte tel qu'illustré à la Figure 2.
- Si nécessaire, fixez deux supports en caoutchouc avec du ruban adhésif aux coins arrières de la hotte.

INSTALLATION

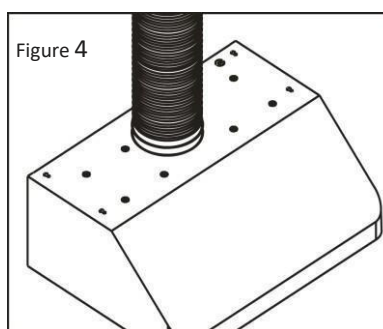
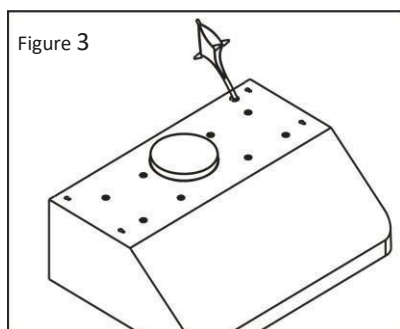
Mesurez la distance entre la surface de cuisson et le dessous de la hotte. Une distance d'un minimum de 27'' est recommandée pour une surface de cuisson électrique et de 30'' pour une surface de cuisson au gaz.



Étape 1: Vous avez deux options d'installer cette hotte (voir SCHÉMAS D'INSTALLATION en page 9) :

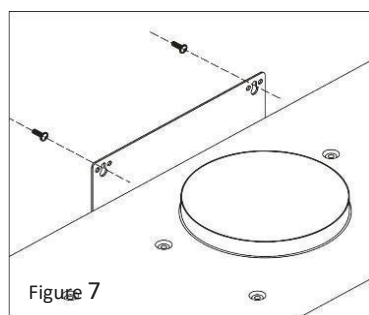
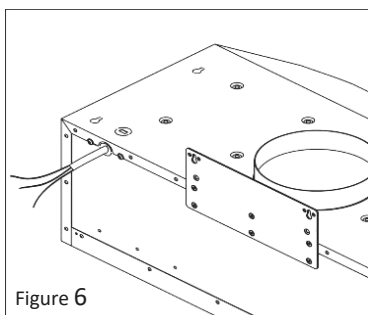
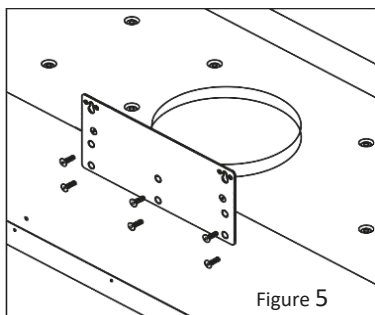
- A. Déterminez la méthode de ventilation et procédez comme suit si vous désirez l'option **VERTICALE**.
1. En se référant au diagramme HAUTEURS ET DÉGAGEMENTS, déterminez et marquez bien l'axe central dans le bas de l'armoire.
 2. Tirez les fils électriques à travers l'ouverture d'accès au-dessus de la hotte (voir figure 3), centrez la hotte sous l'armoire et affleurez avec l'avant de l'armoire.
 3. Par l'intérieur de la hotte, placez les vis de montage au centre exact de chaque trou de passage et fixez-les au-dessous de l'armoire. Serrez toutes les vis jusqu'à ce qu'elles soient bien fixées. Soyez prudent lorsque vous utilisez un tournevis électrique afin de ne pas endommager la hotte. Raccordez et fixez le conduit rond de 8'' en métal (voir figure 4). Sautez la partie B ci-dessous et passez à l'étape 2.

ATTENTION: Assurez-vous que la hotte solidement fixée avant de le relâcher!



- B. Procédez comme suit si vous désirez l'option **HORIZONTALE**.

1. En se référant au diagramme HAUTEURS ET DÉGAGEMENTS, déterminez et marquez bien l'axe central dans le bas de l'armoire. Placez deux vis de montage sur le mur, en laissant un espace de 1/8'' du mur. Fixer la hotte sur les montants derrière le mur est fortement recommandé.
2. Fixez le support de montage à l'arrière de la hotte à l'aide de six vis tel qu'illustré à la figure 5.
3. Percez le trou d'accès du fil électrique et tirez les fils électriques à travers le trou d'accès (voir figure 6) et attachez un adaptateur de ventilation rectangulaire.
4. Alignez le support de montage aux vis sur le mur et accrochez la hotte en place tel qu'illustré à la figure 7.



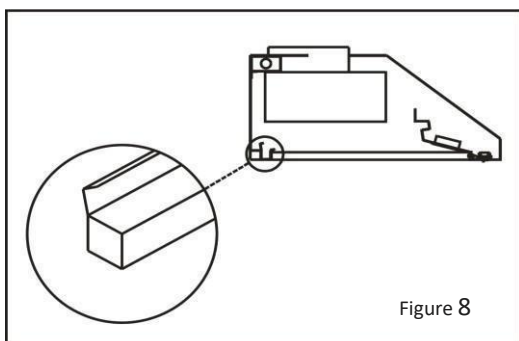
INSTALLATION (suite)

Étape 2:

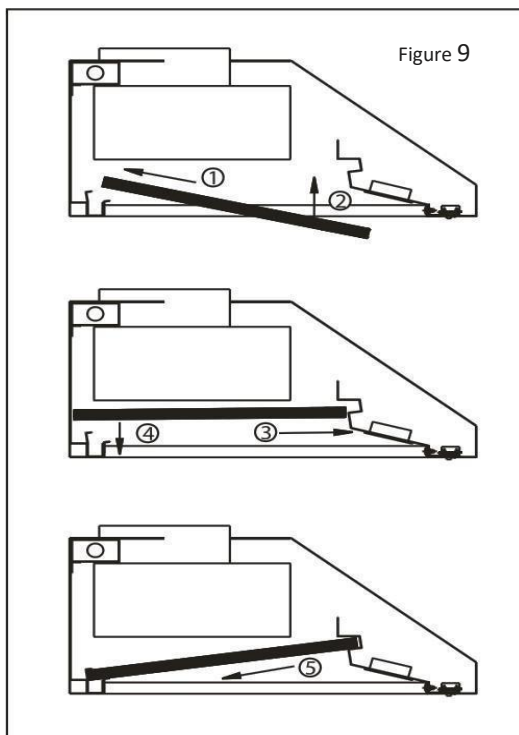
Pour des raisons de sécurité, des trous de fixation pré-perçés sont fournis à l'arrière de la hotte. Pour une installation plus sécuritaire, utilisez autant de trous de montage à l'intérieur de la hotte que nécessaire pour bien fixer.

Utilisez un tuyau en acier rond de 8" (suivez les codes de construction dans votre région) pour relier l'échappement sur la hotte à la canalisation, tel qu'illustré à la figure 4. Utilisez du ruban pour conduits pour rendre tous les joints solides et étanches.

Étape 3 :



Déposez le tunnel d'huile dans le support de cavité près de l'arrière de la hotte. Voir figure 8.



Pour installer les filtres, se référer à la Figure 9 en suivant les mesures ci-dessous:

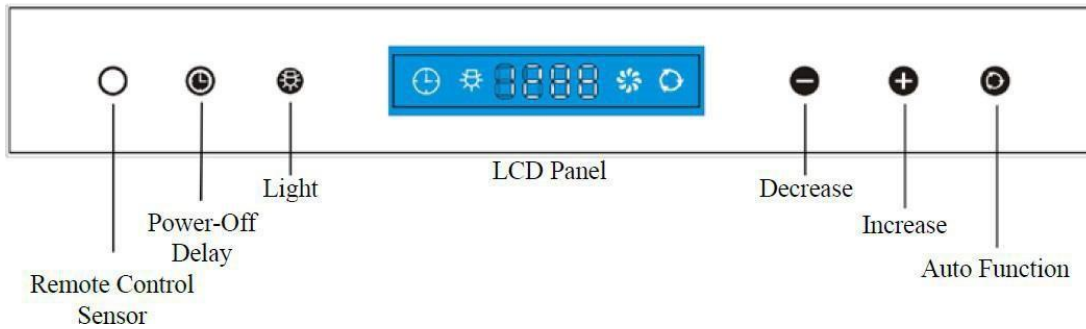
1. Dirigez le filtre vers l'arrière de la hotte.
2. Poussez le filtre jusqu'à ce qu'il soit de niveau.
3. Glissez vers l'avant dans la coque se trouvant à l'avant de la hotte.
4. Abaissez le filtre à l'arrière.
5. Glissez vers l'arrière jusqu'à ce qu'il emboîte et se dépose en position droite.

Étape 4:

Mettez l'appareil sous tension. Vérifiez toutes les lumières et les opérations du ventilateur.

Opérations de la hotte

Disposition du panneau de configuration et configuration des boutons:



En plus de la fonction de commande à distance, cette hotte est également équipée d'un capteur de chaleur qui s'auto-étalonne en 5 secondes lorsque la hotte est activée électriquement et émet un bip lorsque l'auto-étalonnage est effectué. Pour économiser de l'énergie, le panneau LCD s'éteindra automatiquement après 5 secondes d'inactivité.

Réglage de la vitesse automatique sensible à la chaleur (HSAS):

- Appuyez sur le bouton de fonction automatique pour activer / désactiver le mode automatique. L'icône de fonction automatique apparaîtra sur l'écran LCD lorsque le mode automatique est activé.
- Lorsque la hotte est éteinte, maintenez le bouton de fonction automatique enfoncé pour accéder au mode de réglage de la température. Appuyez sur le bouton Augmenter ou Réduire pour régler la valeur de la température de comparaison entre les capteurs de chaleur interne et externe de **8 ° F à 20 ° F**. Le mode de réglage de la température quittera automatiquement après 5 secondes d'inactivité.
- Lorsque la hotte est éteinte et que la fonction automatique est activée, le ventilateur se mettra automatiquement à sa vitesse maximale lorsque la température interne est 4 fois supérieure à la température externe. Ensuite, le niveau de vitesse (entre les niveaux de vitesse F4 à F1) sera ajusté automatiquement en fonction de la température détectée entre les capteurs (4 fois à 1 fois). Vous pouvez également écraser manuellement le niveau de vitesse en appuyant sur le bouton Augmenter ou Diminuer. La fonction automatique se réactivera au bout de 2 minutes. Le ventilateur peut **UNIQUEMENT** être éteint **MANUELLEMENT** ou activer la fonction de temporisation d'arrêt.

Activation de la fonction de ventilation normale:

- Lorsque la hotte est éteinte, appuyez sur le bouton Augmenter ou Diminuer pour démarrer le ventilateur. Appuyez sur le bouton Augmenter pour augmenter la vitesse du ventilateur (F1 à F4) comme indiqué sur le panneau LCD. Le bouton Augmenter fait passer les réglages du ventilateur de l'arrêt (00) à la vitesse lente (F1) à la vitesse lente (F2), à la vitesse moyenne (F3) à la vitesse élevée (F4).
- Lorsque la hotte est en marche et que le ventilateur est en marche, appuyez sur le bouton de diminution pour diminuer la vitesse du ventilateur (F4 à F1), comme indiqué sur l'écran LCD. Le bouton Diminuer permet de régler les paramètres de la soufflante de vitesse élevée (F4) à moyenne vitesse (F3), faible vitesse (F2), vitesse lente (F1) à arrêt (00).

Activation de la fonction d'éclairage:

- Appuyez une fois sur le bouton Light pour allumer les lumières et une fois encore pour les éteindre.

MISE EN GARDE: NE touchez PAS les lumières tant qu'elles n'ont pas été éteintes et refroidies.

Activation de la fonction de délai de mise hors tension:

- Lorsque la hotte est en marche et que le ventilateur est en marche, appuyez sur le bouton Délai d'extinction pour activer le délai d'extinction. L'icône «Délai d'extinction» apparaît sur l'écran LCD. Ajustez la durée souhaitée de la minuterie en appuyant sur le bouton Augmenter ou Réduire (minimum 1 minute à maximum 15 minutes). La minuterie commence à décompter immédiatement, quand il atteint 0, le ventilateur s'éteindra.

ENTRETIEN

AVERTISSEMENT

NE JAMAIS METTRE VOTRE MAIN DANS L'AIRE ABRITANT LE VENTILATEUR. POUR UN FONCTIONNEMENT OPTIMAL, NETTOYEZ LA HOTTE DE CUISINIÈRE, SURFACES ET FILTRES RÉGULIÈREMENT.

Un entretien régulier aidera à préserver l'apparence de la hotte. Nettoyez les surfaces extérieures périodiquement avec de l'eau tiède savonneuse et un chiffon de coton. N'utilisez pas de détergents corrosifs ni abrasifs car ceux-ci pourraient endommager la surface en acier inoxydable. Pour les dépôts de saleté ou de graisse plus importants, utilisez un liquide dégraissant. Pour nettoyer la surface de la hotte, utilisez un nettoyant pour acier inoxydable. Évitez tout produit de nettoyage sur ou dans le panneau de contrôle.

ATTENTION

Utilisez un chiffon doux pour essuyer la solution nettoyante. Frottez légèrement toutes les taches tenaces. Toujours frotter légèrement avec un chiffon de coton et dans le sens du grain. Ne laissez pas de dépôts s'accumuler sur la hotte, ils pourraient adhérer à la surface et la faire rouiller. Ne pas utiliser de laine d'acier ou encore de brosses en acier car cela égratignera la surface.

Ne pas laisser de solutions salines, de désinfectants ou d'agents de blanchiment en contact avec l'acier inoxydable. Plusieurs de ces composés contiennent des produits chimiques qui peuvent être dangereux. Dans le cas échéant, rincez à l'eau après l'exposition et essuyez avec un chiffon propre.

NETTOYER LES FILTRES

Les filtres à graisses doivent être nettoyés une fois par mois. Pour les retirer, poussez sur le loquet de métal et désengagez-le de la hotte. Basculez le filtre vers le bas, puis le retirer. Pour le nettoyage des filtres, utilisez une solution d'eau chaude additionnée de détergent doux. Laissez-les sécher puis réinstallez-les. Les filtres sont également lavables au lave-vaisselle. Si vous nettoyez les filtres au lave-vaisselle, utilisez un détergent sans phosphate. L'utilisation d'un détergent avec phosphate pourrait entraîner une décoloration des filtres mais sans toutefois affecter leur performance. Cette décoloration n'est pas couverte par la garantie.

REMPACEMENT DES FILTRES

Si les filtres sont endommagés en raison d'une utilisation prolongée, veuillez contacter votre fournisseur de pièces pour obtenir des filtres de remplacement. NOTE: Remplacez aussi les filtres percés ou tordus.

NETTOYAGE DE L'ACIER INOXYDABLE

Lavez régulièrement les surfaces à l'aide d'un chiffon ou linge propre imbibé d'eau tiède et de savon doux ou de détergent liquide à vaisselle. Toujours nettoyer dans le sens du polissage. Toujours bien rincer avec de l'eau claire (2 à 3 fois) et essuyez complètement. Un nettoyant domestique conçu spécialement pour l'acier inoxydable peut aussi être utilisé.

ACCUMULATEUR DE GRAS

Prendre bien soin d'installer l'accumulateur de gras correctement et de le vider et le nettoyer régulièrement.

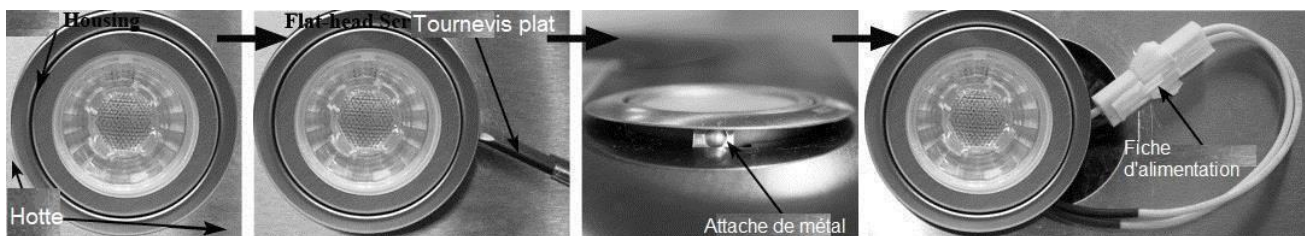
REEMPLACER LES LUMIÈRES DEL

ATTENTION

Les lampes DEL ne peuvent être remplacées que par de nouvelles lampes DEL. La puissance de la lampe doit être égale à celle déjà utilisée. Assurez-vous que tous les interrupteurs de commande sont éteints et que la hotte est débranchée ou que le disjoncteur est hors tension.

Remplacement de l'appareil d'éclairage au DEL:

- Cette hotte utilise un luminaire au LED: 3W Max 12VDEL
- Assurez-vous que la hotte est débranchée ou éteignez le disjoncteur et que les lumières sont froides au toucher.
- Placez un tournevis à tête plate entre le boîtier de la lampe et le corps de la hotte, soulevez délicatement le boîtier de la lampe et recherchez le clip métallique.
- Appliquez une force sur le clip métallique et retirez le luminaire. Débranchez le câble d'alimentation et jetez l'ancien luminaire.
- Inversez les étapes pour installer un nouveau luminaire au DEL. Allumez le disjoncteur et la hotte de cuisinière pour tester le fonctionnement.



SERVICE ET GARANTIE

Nous garantissons notre hotte contre tout défaut de fabrication, tant au niveau des matières premières que de la main-d'œuvre, pour une période d'un (1) an à partir de la date d'achat originale.

Cette garantie limitée ne s'applique pas en cas d'une mauvaise installation, d'une mauvaise utilisation, de négligence, d'incendie ou autres causes extérieures, d'altérations, réparation non conforme ou encore d'un usage commercial.

Pour contacter notre département de service : Lundi au vendredi de 8h 30 à 16h 30 (heure de l'est) :

SERVICE

Tel: 1-884-445-3474 Ext.2

Site internet / courriel: www.service@caloricappliances.ca

GARANTIE LIMITÉE

Cette garantie s'applique uniquement à l'acheteur d'origine et ne peut être transférée. Cette garantie s'applique au Canada seulement, aux hottes installées pour une utilisation normale et non commerciale dans les MÉNAGES PRIVÉS UNIFAMILIAUX.

Caloric™ garantit que ce produit est exempt de tout défaut de matériau ou de fabrication pendant une période d'un an à compter de la date d'achat d'origine. Pendant la période de garantie, Caloric™ réparera ou remplacera, à sa discrétion, sans frais, tout produit ou pièce défectueux dans des conditions normales d'utilisation et de service. Cette garantie couvre les pièces et la main-d'œuvre d'une entreprise agréée Caloric™, jusqu'à un maximum d'une (1) heure. Une preuve de paiement à la société de services est requise.

IL N'Y A AUCUNE AUTRE GARANTIE, EXPRESSE OU IMPLICITE, Y COMPRIS, MAIS SANS S'Y LIMITER, LES GARANTIES IMPLICITES OU LA CAPACITÉ OU L'ADÉQUATION DES MARCHANDS À UN USAGE PARTICULIER.

Une preuve d'achat / facture originale et numéro de série est requis pour les réclamations sous garantie. Gardez une photocopie facilement accessible.

Cette garantie sera nulle si la plaque signalétique a été retirée ou défigurée.

EXCLUSIONS - Cette garantie Caloric™ ne couvre pas: • Les filtres à chicane en aluminium ou en acier inoxydable, les lumières ou les auvents en verre, les dommages de la roue de soufflante • Entretien et service réguliers (sauf par un centre de réparation agréé Caloric™) abus, incendie, inondation, catastrophe naturelle, inapproprié installation, installation non conforme aux codes électriques, ou utilisation de consommables ou de produits de nettoyage non approuvés par Caloric™ • Réparation d'un appareil utilisé dans un autre usage qu'un ménage unifamilial normal, ou d'une manière contraire au fonctionnement ou instructions d'installation. • Dommages cosmétiques ou des dommages de transport causés par une société de transport tierce. • Service à un produit qui n'est pas facilement accessible en raison d'une installation inhabituelle, exceptionnelle ou difficile • Appels de service pour savoir comment utiliser l'appareil • Frais de voyage et de transport si votre appareil se trouve dans une région éloignée où l'entretien par un réparateur Caloric™ agréé n'est pas disponible. Les frais de réparation ou de remplacement dans le cadre de ces exclusions sont à la charge du client et acceptés avant l'envoi d'un réparateur.

Caloric™ NE SERA PAS RESPONSABLE DES DOMMAGES ACCESSOIRES, CONSÉCUTIFS OU SPÉCIAUX SURVENANT HORS OD OU EN LIEN AVEC L'UTILISATION OU LA PERFORMANCE DU PRODUIT. Pour un centre de réparation agréé Caloric™, veuillez nous contacter au: 1-844-455-3474 ext. 2 ou www.service@caloricappliances.ca

Nous faisons tout notre possible pour nous assurer que les informations fournies sont complètes et exactes, cependant, les images et les spécifications peuvent être modifiées sans préavis. Visitez notre site Web à www.caloricappliances.ca pour la dernière version de ce manuel.



Au Canada, CALORIC™ est une marque déposée de J.A.K. Amérique du Nord Inc.